

D7223A D7224A

Desktop Speaking Conference Unit



Description

The D7223A / D7224A Desktop Speaking Conference Units are designed for professional digital conference systems, offering clear and stable voice communication in a compact desktop design. Equipped with a cardioid condenser microphone, they ensure accurate voice pickup with strong resistance to interference. The built-in loudspeaker automatically mutes when the microphone is activated to effectively prevent feedback. Supporting unique unit ID management and automatic camera tracking when used with the system host, the units are well suited for medium to large conference rooms and formal meeting environments.

Features

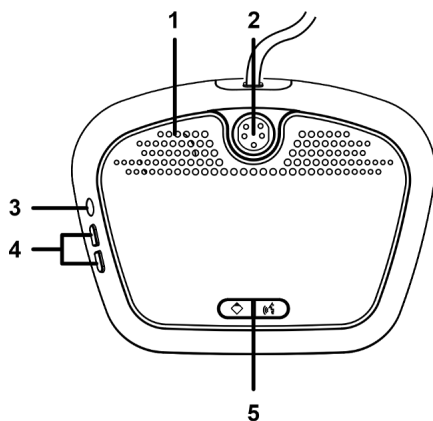
- Discussion-only conference unit.
- Comes with a 2-meter dedicated high-density cable with RJ45 connector.
- Equipped with a cardioid electret condenser microphone with a dual-color LED indicator (red/green).
- Standard aluminum alloy square microphone stem; optional gooseneck microphone stem available.
- Microphone stem can be detached during recess for convenient maintenance and storage.
- Excellent resistance to mobile phone interference.
- Supports key-based sign-in function.
- Each unit has a unique ID number.
- Compatible with cameras: after configuration via the digital conference system host or PC software, the unit can support automatic camera tracking.
- Self-diagnostic functionality when connected to the control host. Self-check function for unit: buttons, microphone, and LED indicators.
- Passive unit powered by host system or PoE switch, with an input voltage of +48V input.
- Chairman unit supports priority function and podium mode through host configuration.

- Chairman unit can approve speaking requests from delegate units.
- Chairman unit can be activated freely without limitation on the number of active speakers, and its connection position is unrestricted.
- Chairman unit provides full priority control over meeting proceedings.

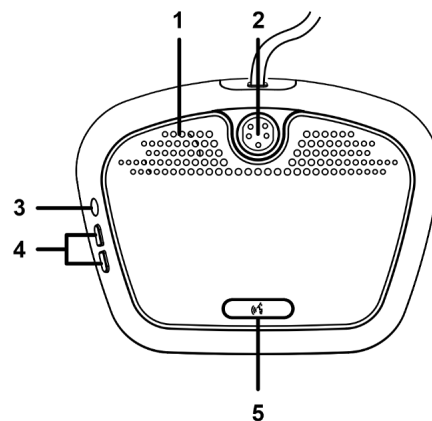
Specifications

Model	D7223A	D7224A
Structure Type	Desktop	
Effective Frequency	Unit A to Unit B	50Hz-14kHz
Range for Gain Limiting (±3dB)	Host Line to Unit	30Hz-18kHz
	Unit to Host Line Output	40Hz-16kHz
Speaker Power	1.5W	
Static Power Consumption	<6W	
Maximum Power Consumption	8W	
Signal-to-Noise Ratio	>75dB	
Crosstalk Attenuation	>80dB	
Harmonic Distortion	<0.5%	
Headphone Output	9dBu, 8-32Ω, 3.5mm	
Operating Power	Powered by host system or PoE switch, with an input voltage of +48V input.	
Unit Interface	Dante network interface	
Microphone	Microphone Type	Cardioid electret condenser
	Input Sensitivity	-42±2dBV/Pa
	Frequency Response	50Hz-20KHz
	Maximum SPL	125dB
Product Dimensions (W×D×H)	175×133×46mm	
Package Dimensions	485×280×120mm	
Net Weight	0.8kg	
Gross Weight	2.4kg	

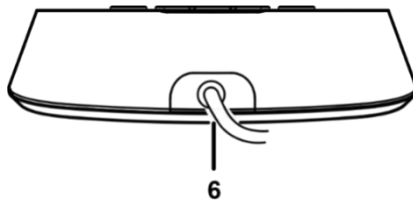
Front / Rear Panel



Top View of Chairman Unit

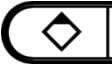



Top View of Delegate Unit



Rear View of Chairman/Delegate Unit

1. Built-in speaker; speaker automatically mutes when microphone is active or headphones are plugged in.
2. 5-pin screw-type microphone connector.
3. 3.5mm headphone jack.
4. Volume control buttons to adjust headphone and speaker levels.
5. Microphone On/Off Button and Indicator.

Chairman Priority Button  Microphone On/Off Button 

6. Dante network connection, RJ45 cable (2 meters in length). For extensions beyond 2 meters, a network pass-through connector is required (recommended maximum length: 80 meters).