

D7323 / D7324

5G WiFi Encrypted Wireless Speaking Chairman / Delegate Unit



Description

The conference unit integrates a variety of functions such as speaking, voting, sign-in, and self-testing. It adopts cardioid directional condenser microphone, built-in internal magnetic speaker, earphone jack, and has microphone turn-on indicator ring and touch button light switch indication, with the function of voice switch in voice control mode. It features built-in digital high-speed processor and high-definition audio circuit. The unit with LCD condenser touch screen is operated by touch, and the display shows the identity and state of the chairman unit/VIP unit/normal unit. It has several modes of operation, with echo cancellation, howling suppression, background noise silence, and more.

Features

- Conference unit with pure speech.
- It adopts WPA/WPA2 wireless security with 128-bit AES encryption to prevent eavesdropping and unauthorized access, providing greater confidentiality of the conference system;
- Supports roaming, allowing devices to move seamlessly between multiple APs to expand WiFi coverage and ensure reliable operation of conference units in large meeting rooms or across multiple rooms.
- Cardioid electret condenser microphone with dual-color indicator ring (red/green).
- Comes standard with an integrated aluminum alloy square microphone rod, with an optional gooseneck microphone available.
- The microphone rod can be detached during recess periods, facilitating equipment maintenance and storage.
- Features an internal-magnet high-fidelity speaker that is automatically muted when the microphone is

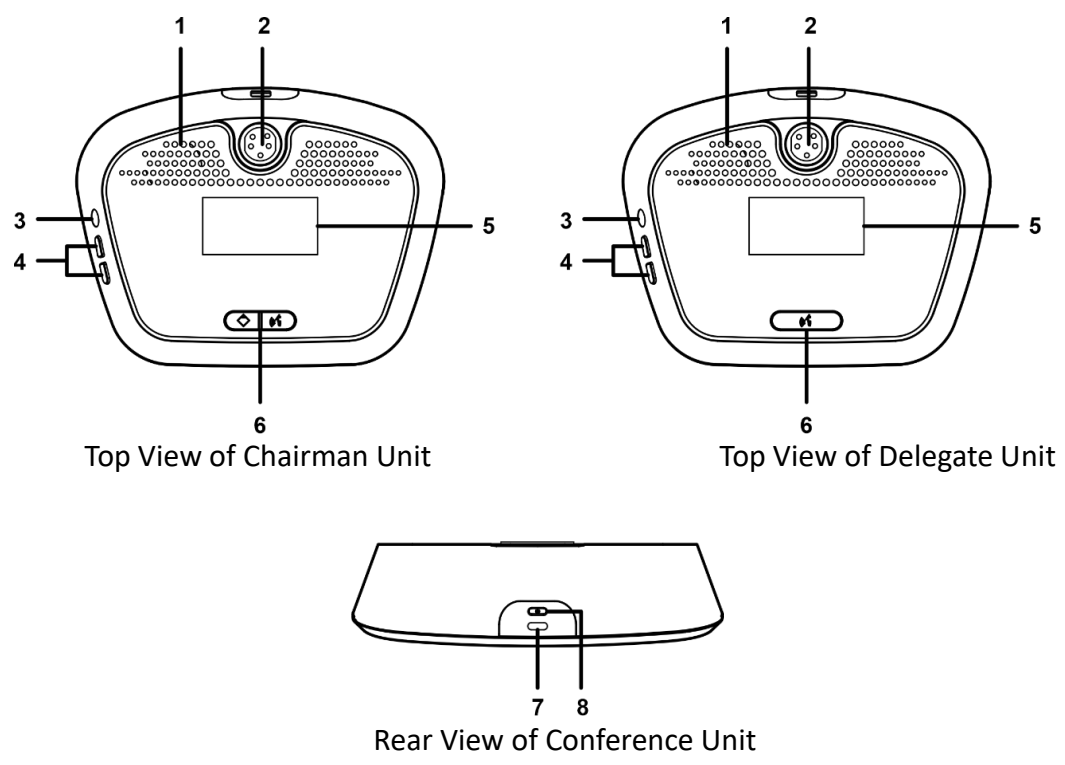
activated, reducing the risk of acoustic feedback.

- The 3.5mm stereo headphone jack allows connection to headphones, with adjustable headphone volume.
- Excellent resistance to mobile phone interference.
- Equipped with a microphone ON/OFF button, five voting buttons, and a priority button on the chairman unit.
- Supports key-based sign-in function.
- Delivers high-fidelity audio quality and supports up to six microphones active simultaneously on a wireless unit.
- Each conference unit has a unique ID number.
- High-brightness 2.4 Inch OLED display showing real-time operating status.
- Supports automatic camera tracking when used with a camera and configured via the digital conference system host or PC control software.
- When connected to the control host, the unit supports self-test function.
- Built-in large capacity lithium battery, long battery life.
- Microphone activation tone with configurable on/off setting.
- The chairman unit features priority and podium modes configurable through the host.
- Chairman unit can initiate voting and approve speaking requests from delegate units.
- The chairman unit can be freely activated without limits on active speakers and has priority control over the meeting order.
- Its connection position is not restricted.

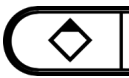

Specifications

Model		D7323 / D7324
Structure Type		Desktop Design
Effective Frequency Range of Gain Limit ($\pm 3\text{dB}$)	Unit A to Unit B	120Hz-13kHz
	Host Line to Unit	130Hz-14kHz
	Unit to Host Line Out	48Hz-17kHz
Speaker Power		1.2W
Static Power Consumption		<3.2W
Max. Power Consumption		4.5W
SNR		>81dB
Crosstalk Attenuation		>80dB
Harmonic Distortion		<1%
Headphone Output		9dBu, 8-32 Ω , 3.5mm
Working Voltage (Battery Pack)		DC 5V charging via the Type-C port (higher charging efficiency when powered off).
Microphone	Microphone Type	Cardioid Electret Condenser Type
	Input Sensitivity	-42 \pm 2dBV/Pa
	Frequency Response	50Hz-20KHz
	Max. SPL	125dB
Product Dimension (WxDxH)		175x133x46mm
Package Size		485x280x120mm
Net Weight		0.6kg
Gross Weight		2.0kg

Buttons and Indication Functions



- 1. Built-in speaker; it mutes automatically when the microphone is activated or a headphone is connected.
- 2. 5-pin Spiral Microphone Connector.
- 3. 3.5mm Headphone Jack
- 4. Volume control buttons allow adjustment of both microphone and monitoring volume. Press and hold “+” for microphone volume, and “-” for monitor volume.
- 5. 2.4" high-brightness OLED display.
- 6. Microphone Switch Button & Indicator Ring.

Chairman Priority Button  |  Microphone Switch Button

- 7. Type-C charging interface.
- 8. Power key: press and hold to power on/off; after powering on, press briefly to connect to Wi-Fi automatically.