

DMA2100 / DMA2200 / DMA2300 DMA21M

2 Channels Digital Multimedia Mixer Amplifier & Touch Control Panel



DMA2100 / DMA2200 / DMA2300
2 Channels Digital Multimedia Mixer Amplifier



DMA21M
Smart Touch Control Panel

Description

The DMA2100 / DMA2200 / DMA2300 are 2-channel digital multimedia mixer amplifiers designed for professional audio applications. Featuring built-in DSP audio processing, Bluetooth 5.0, RS485, and network control, the series delivers stable high-performance audio output. With rated power options of 2×100W, 2×200W, and 2×300W, it is suitable for conference rooms, classrooms, and commercial applications.

The system can be paired with the DMA21M smart wall control panel, a 4-inch touch-screen control terminal for volume adjustment, scene recall, and system operation. It supports RS485 communication and 4.5V–30V wide-range power input, ensuring stable integration. The panel supports 86-type concealed in-wall and in-desk installation for a clean and modern appearance.

Features

2 Channels Digital Multimedia Mixer Amplifier

- The main unit is constructed from multiple composite materials, delivering a more premium and technologically advanced appearance.
- Equipped with advanced microphone audio processing technology.
- Microphone excitation function enhances low and high frequencies, delivering a fuller sound and wider sound field.
- Built-in DSP (Digital Signal Processing) technology for professional audio control.
- Supports RS485 serial port and network control.
- Equipped with an advanced Bluetooth chip, fully compliant with Bluetooth 5.0, supporting high-fidelity stereo audio transmission.
- Audio inputs include optical fiber, coaxial, RCA (phono), 3.5mm stereo, and microphone phantom power input.

- Integrated with noise gate, limiter, anti-feedback, and mixing functions.
- User-friendly front panel allows intuitive effect adjustment.
- Adopts an advanced switching power supply design, ensuring stable operation under varying power conditions.
- The mixer amplifier section adopts mature professional amplification technology, ensuring stable performance and high dynamic output.

Smart Touch Control Panel

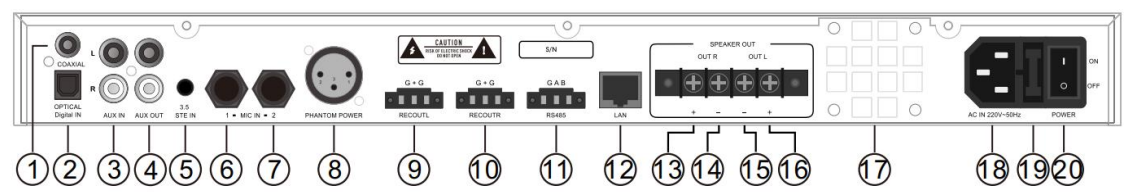
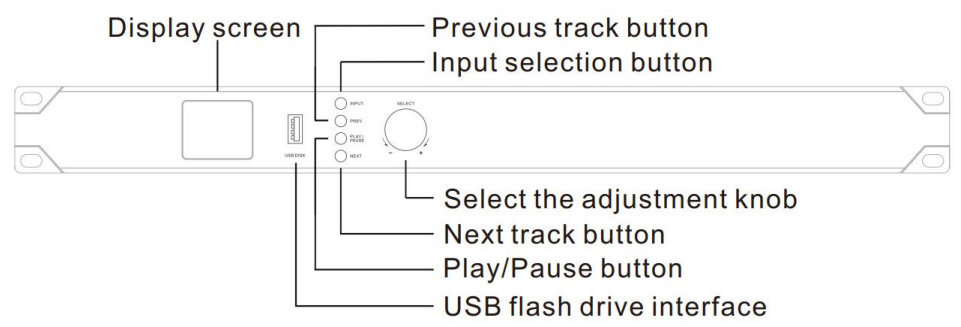
- Smart wall panel with a 4-inch touch screen.
- Simple and intuitive software interface for easy operation.
- Supports volume adjustment and scene recall.
- Supports concealed in-wall and in-desk installation for a neat and simple

Specifications

Model	DMA2100	DMA2200	DMA2300
Rated Power	2×100W	2×200W	2×300W
Impedance		8Ω	
Frequency Response		20Hz-20kHz	
Distortion		<0.1%	
SNR		>80dB	
Input Sensitivity		0.775V	
Maximum Input Level		1.9V	
Input Impedance		Microphone: 1K/Line: 10K	
Damping Factor		100	
Intermodulation Distortion		0.5%	
Slew Rate		3V/μs	
Power Requirements		AC 220V	
Product Dimensions		482×267×44mm	
Package Dimensions		560×385×100mm	

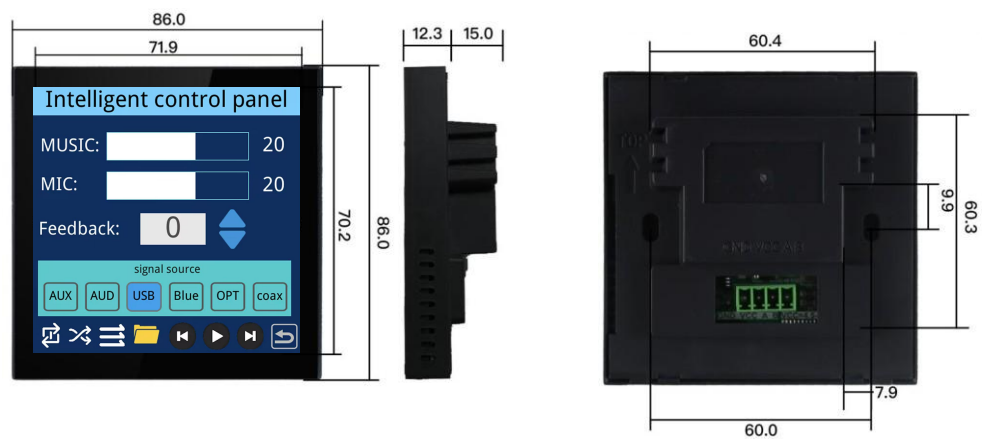
Model	DMA21M
Power Supply Voltage	4.5V-30V
Communication Interface	RS485
Communication Baud Rate	1200-115200bps
Display Size	4.0 Inches
Display Type	IPS LCD Screen
Resolution	480×480
Product Dimensions	86×86×27.3mm

2 Channels Digital Multimedia Mixer Amplifier



- ① Coaxial signal input
- ② Fiber optic signal input
- ③ Auxiliary signal input
- ④ Auxiliary signal output
- ⑤ 3.5mm stereo input
- ⑥ Microphone input 1
- ⑦ Microphone input 2
- ⑧ Microphone phantom power input
- ⑨ REC output left terminal
- ⑩ REC output right terminal
- ⑪ RS485 serial port terminal
- ⑫ Network interface
- ⑬ Channel R positive output to speaker
- ⑭ Channel R negative output to speaker
- ⑮ Channel L negative output to speaker
- ⑯ Channel L positive output to speaker
- ⑰ Heat dissipation vent
- ⑱ AC power input
- ⑳ Power switch

Smart Touch Control Panel



No.	Definition	Description	Reference Figure
1	GND	Power negative terminal	
2	VCC	Power positive terminal	
3	A	RS485 Data A terminal	
4	B	RS485 Data B terminal	