

# DSP170E

## Outdoor Network Horn Speaker



### Description

The product is a network active horn speaker supporting network broadcast intercom system. It can support the international standard SIP protocol and accept broadcasts and calls from LAN and WAN. It can be quickly deployed to the place where you need with only one network cable, and is easy to install. With wide sound diffusion angle, it can realize super reproduction of voice and music.

### Features

- 10/100M self-adaptive, support DHCP/static IP;
- Support standard SIP protocol;
- Supported audio format: MP3, WAV, etc.;
- Can play the background music, emergency paging and alarm signal from the host system;
- Adopt high-quality ABS plastic, high dynamic range speaker unit, more clear and brighter sound;
- Equipped with mounting brackets for easy installation;
- All-weather design, applicable to indoors and outdoors in different occasions.

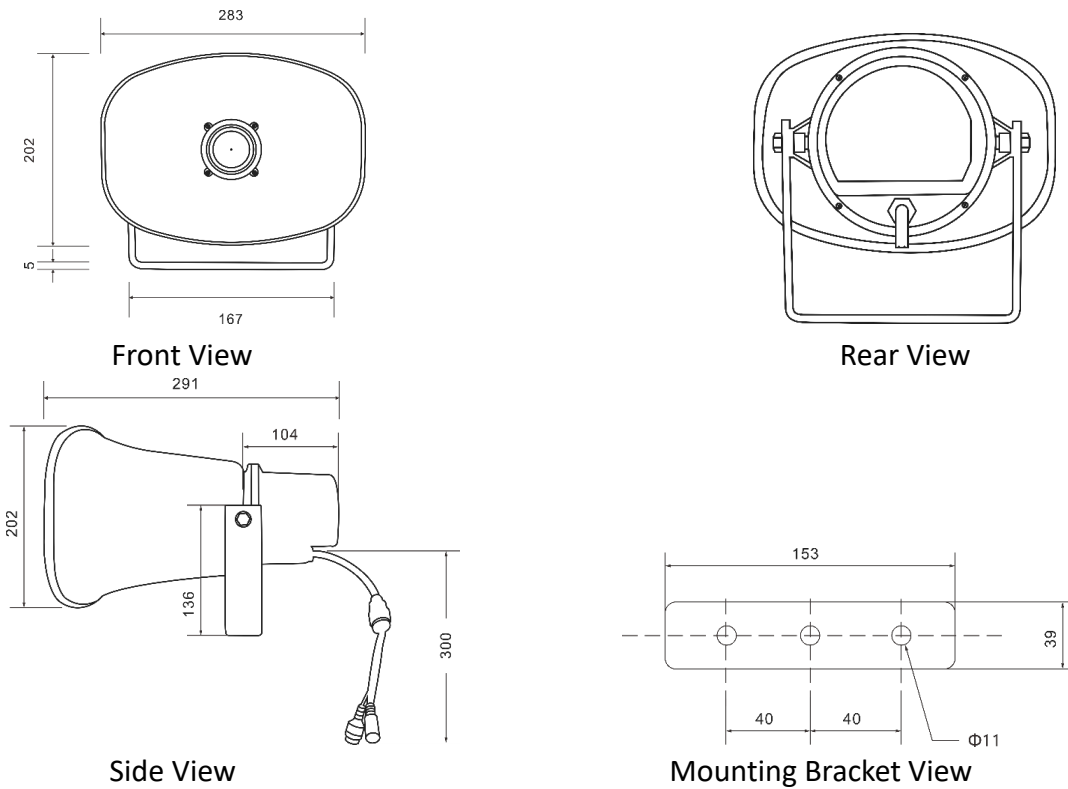
### Specifications

	Items	Specifications
Amplifier OUT	Rated Power (RMS)	15W 8Ω
	SNR	≥75dB
	Freq. Resp.	80Hz-16KHz
Speaker	Unit Driver	2.5"
	Sensitivity	102dB±2dB
	MAX. SPL.	115dB±2dB
	Freq. Resp.	350Hz-6.3KHz
Power	Voltage	PoE+(IEEE 802.3at) / DC24V 2A (Standby)
Others	Network Interface	RJ45 (10/100M)

Power Interface	24V/2A
Package Dimensions	630×510×335mm(4 pcs)
Machine Dimensions	285×205×288mm
Gross Weight	10.8kg(4 pcs)
Net Weight	1.9kg

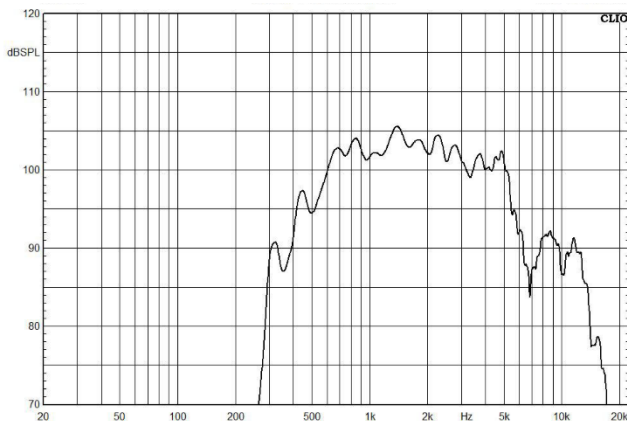
## Front / Rear Panel

### Product Information



### Technical Parameters

#### Frequency Response (dB SPL, 1W, 1m)



#### Distortion (THD < 5% 1W, 1m, 100Hz-10kHz)

