

DSP310 DSP320

Landscape Speaker



Description

This series of products is a multi-functional loudspeaker, available in wall-mounted and floor-mounted types. This series of products can provide high-quality voice and music reproduction functions, and relatively long sound transmission distance. It is suitable for conference rooms, shopping malls, exhibition halls and other indoor and outdoor occasions.

Features

- Suitable for public address and background music playback.
- With clear and bright sound, bringing quality sound experience.
- Using high-quality PP material for drum paper of the speaker unit, and rubber edge moisture-proof treatment, for good sound quality and timber performance.
- With a sleek appearance and a finely perforated diffusion grille, the speaker features a patented design that blends seamlessly into any setting.
- Using high-strength ABS material for the shell, sturdy and durable.
- Equipped with mounting bracket, easy to install.

Specifications

Model		DSP310/DSP320
Speaker Unit		3"×1
Rated Power (RMS)		20W
Rated Voltage	70V	10W
	100V	20W
Sensitivity (1m, 1W)		86±2dB
MAX. SPL. (1m)		96±2dB

Frequency Response

180Hz~20kHz

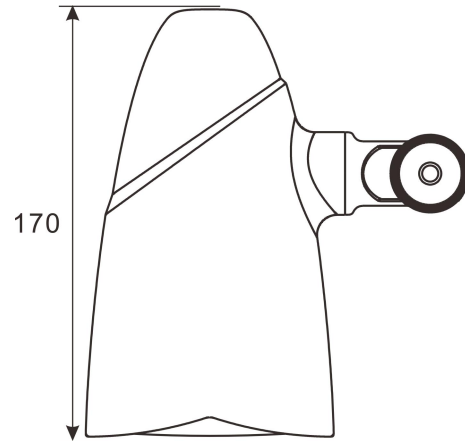
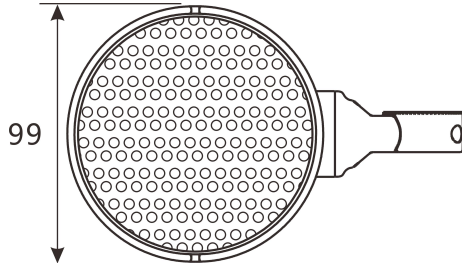
Dimensions (H×W×D)

∅99×170mm

Weight

0.8kg

Product Information

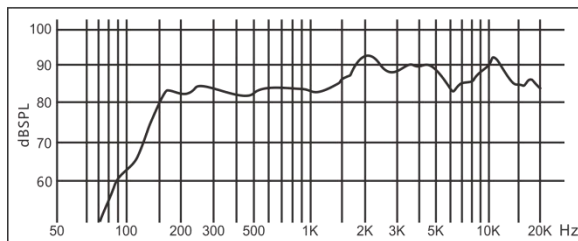


Unit: mm

Technical Parameters

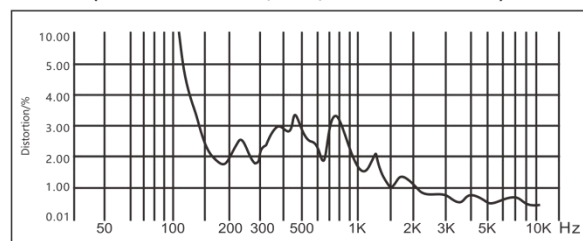
Frequency Response

(dB SPL, 1W, 1m)



Distortion

(THD < 5% 1W, 1m, 100Hz-10kHz)



Directivity Pattern

