

## DSP3154EN

### New 10W EN54 Fireproof Ceiling Speaker



#### Description

This product is a 10W fireproof ceiling speaker with aluminum mesh and fireproof cover, rust-proof and durable. The speaker features a reinforced adjustable clip for easy installation and a safety steel rope hook for double protection.

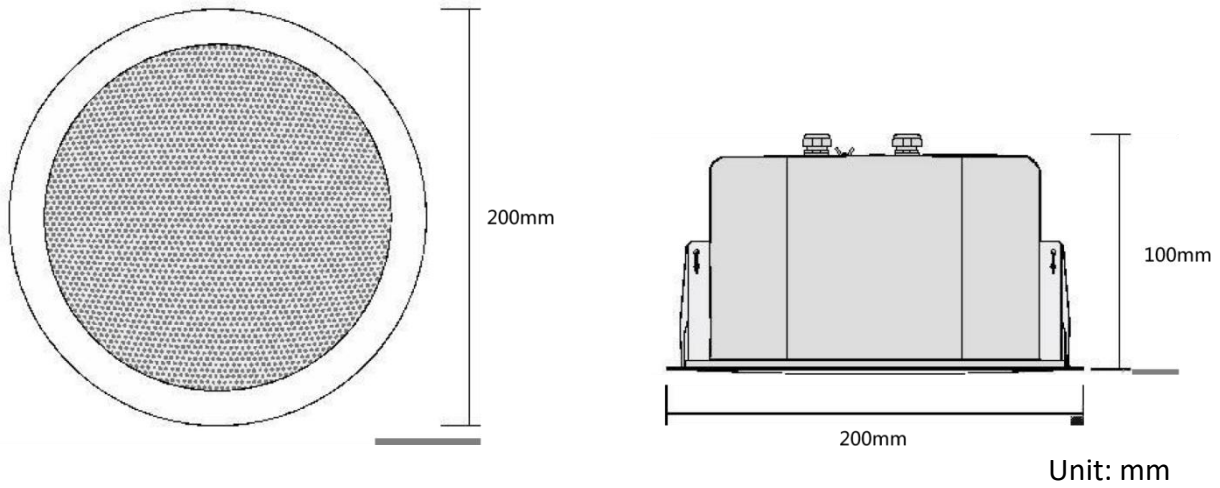
#### Features

- Suitable for use for public broadcast and background music.
- With clear and sonorous sound, bringing high-quality enjoyment.
- The delicate appearance of the speaker can be perfectly integrated into any occasion.
- Protect the cable connection terminals with the protective back cover.

#### Specifications

Model		DSP3154EN
Driver Unit		6.5"×1
Rated Power (RMS)		10W
Rated Voltage	100V	3W-6W-10W
Sensitivity (1m, 1W)		94dB±2dB
MAX. SPL. (1m)		95dB±2dB
Frequency Response		144Hz-15kHz
Dimension (H×W×D)		200×200×100mm
Net Weight		1.04kg

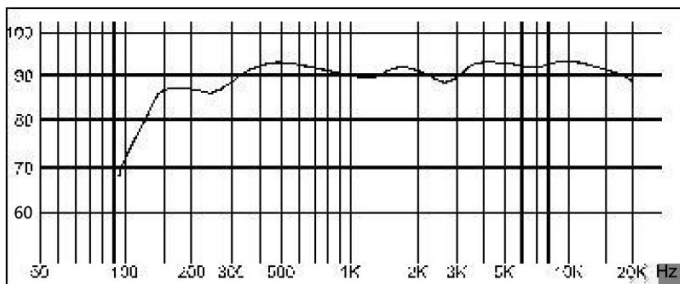
## Product Information



## Technical Parameters

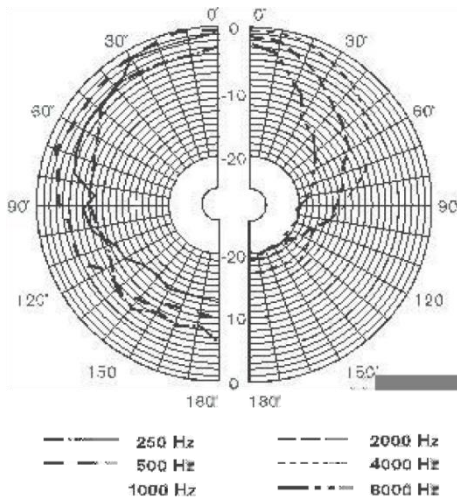
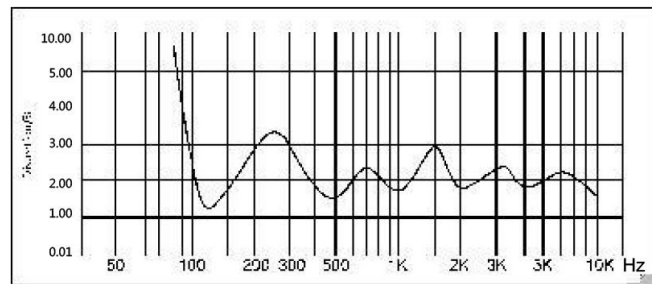
### FREQ. RESPONSE

dB SPL 1W 1m)

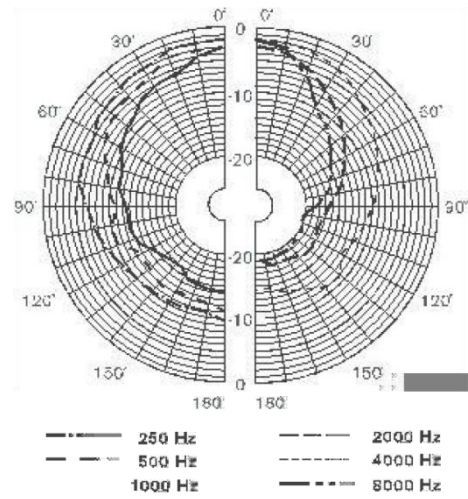


### DISTORTION

THD < 1.5% 1W 1m 100Hz-10kHz)



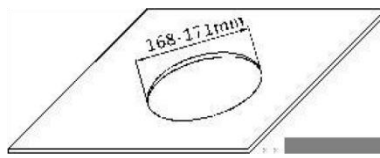
Vertical directivity pattern



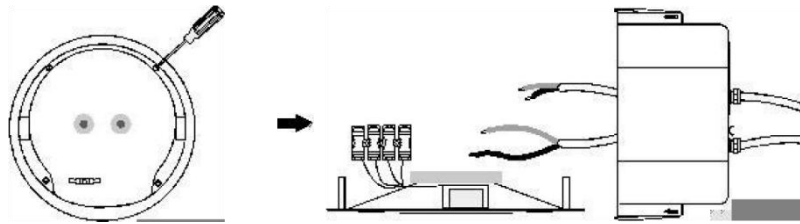
Horizontal directivity pattern

## Installation Method

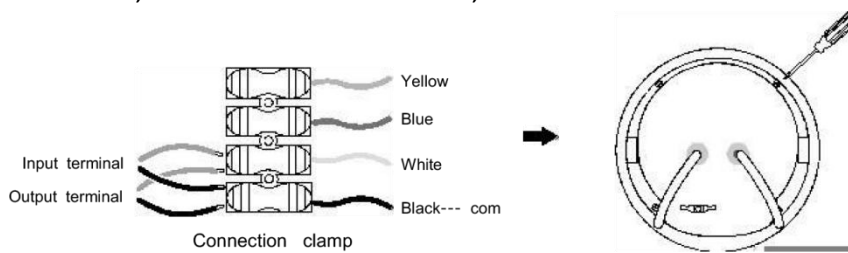
1. Please mark the size of mounting hole of ceiling with the attached round template to the speaker, and cut a round mounting hole on the ceiling (as shown in the figure below, the hole diameter shall not exceed the range from 168 to 171mm).



2. Unscrew the four screws with a screwdriver, and open the rear cover to thread the audio broadcasting transmission line through the cover.



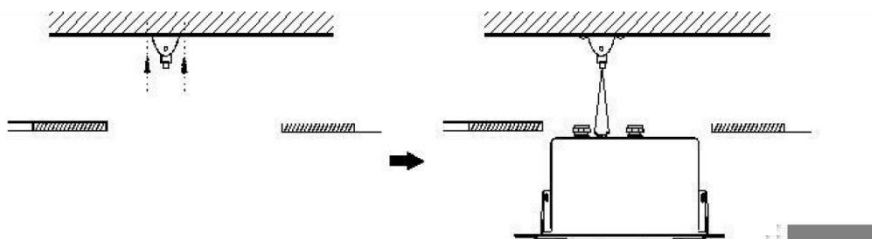
3. Choose an appropriate terminal wire according to the actual power (see the table below for details), and connect with this terminal wire, then close the rear cover, and screw on the screws.



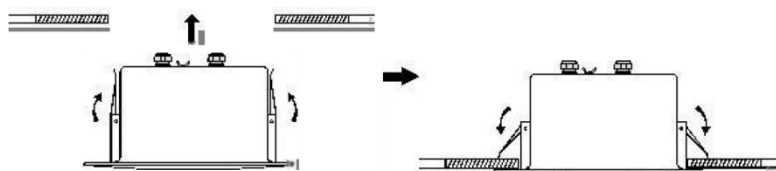
Case of black---white connection

Power	Line	
		100V
Terminal		
	Black-Blue	3W
	Black-White	6W
	Black-Yellow	10W

4. Fix the parts on the ceiling, secure and fix the rope to the hook (this step is optional).



Note: Parts are required to buy separately.



5. Upturn the spring clips on both sides of the speaker and insert them into the mounting hole, then let go them, push the speaker gently to insert it into the ceiling (see the figure below). To avoid being injured by the spring, it is recommended to wear work gloves when doing this step.