

DSP7081

8" 60W Ceiling Speaker



Specifications

The DSP7081 is a ceiling speaker. It provides a perfect sound reinforcement solution with its simplicity, fashion, and excellent sound quality. It is built with two tweeter units and one 8-inch woofer unit, making it perfect for homes, offices, and commercial spaces. Its sleek design seamlessly blends into any decor, while its easy installation and durable construction ensure a hassle-free and long-lasting audio experience.

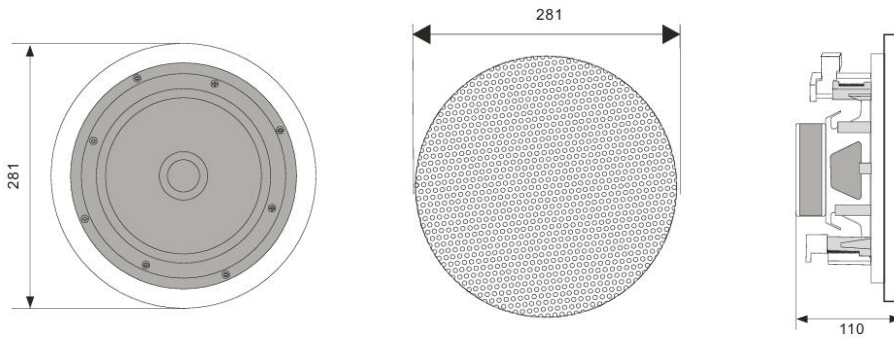
Description

- Working voltage 100V rated power 60W.
- Frequency response:50Hz-20kHz.
- Sensitivity 90dB.
- Cover range: 150°.
- Suited for small to medium venues and conference rooms with high standards.

Features

Model	DSP7081
Rated Power (RMS)	60W
Constant Voltage 100V	15W/30W/60W
Sensitivity	90dB
Frequency response(-10dB)	50-20KHz
Coverage angle(1KHz/-6dB)	150°
Dimension(W*D)	Φ281X110mm
Weight	2.8KG

Product Information

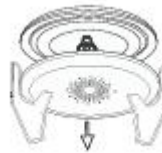


Product Installation

1.Step one:Open a $\phi 250\text{mm}$ hole in the ceiling.



2.Step two:Remove the mesh mask.



3.Step three:Press the open hole in advance, install the product to the ceiling,and lock the screws.



4.Step four:After the product is fixed,reload the mesh mask.

