

## DSP7281T

### 8-inch Ceiling Subwoofer (100V & 8Ω)



#### Description

The DSP7281T is a compact, high-power 100W ceiling-mounted subwoofer, featuring robust durability, long service life, rich and pure low-frequency performance, and wide sound dispersion. It is suitable for both indoor and outdoor environments, delivering excellent background music and voice playback.

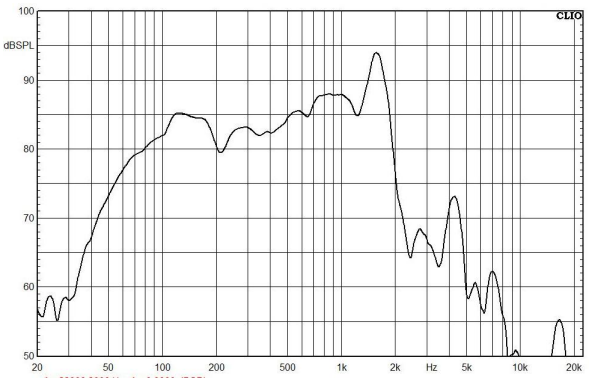
#### Features

- 8-inch driver unit delivers full and powerful bass performance.
- Flexible connectivity with 8Ω and 100V support.
- Rated power of 100W with a maximum power handling of 200W.
- Wide frequency response from 50 Hz to 1800 Hz.
- High sensitivity of 95 ± 3 dB for efficient sound output.
- Maximum sound pressure level up to 115 dB.
- Ceiling-mounted design for discreet and space-saving installation.
- Durable construction ensures long service life.

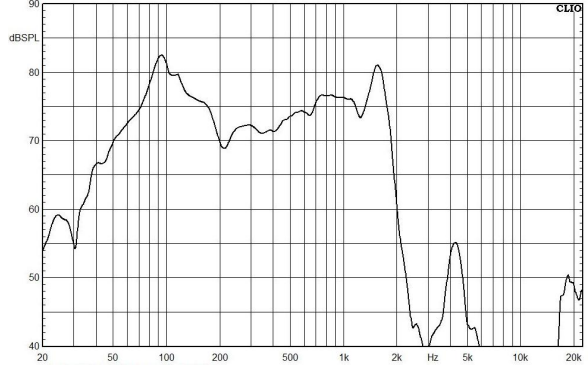
Model	DSP7281T
Diver Unit	8"
Rated Power	100W
Maximum Power	200W
Input Mode	100V / 8Ω
Frequency Response	50Hz-1800Hz
Sensitivity	95±3dB
Maximum Sound Pressure Level	115±3dB
Dimensions	φ320×135mm
Opening Size	φ290mm
Weight	2.5kg
Color	Black

## Product Information

### Frequency Response Curve

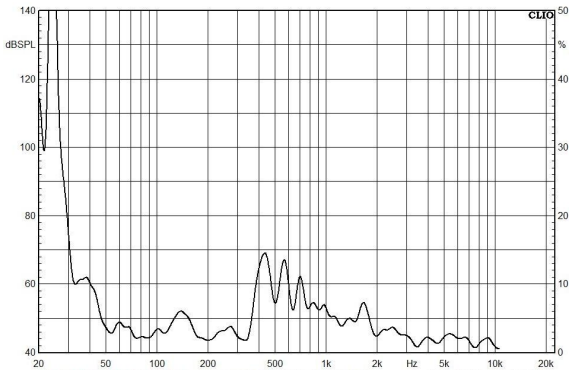


100V Mode

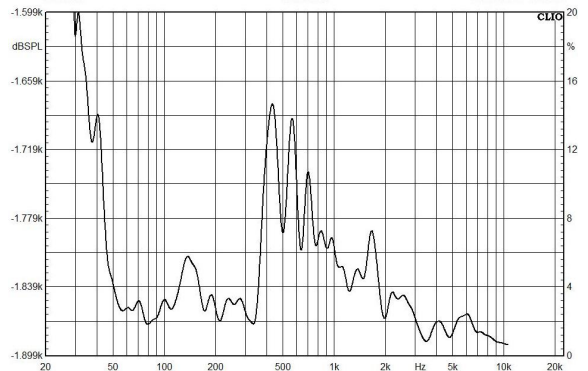


8Ω Mode

### Distortion Curve

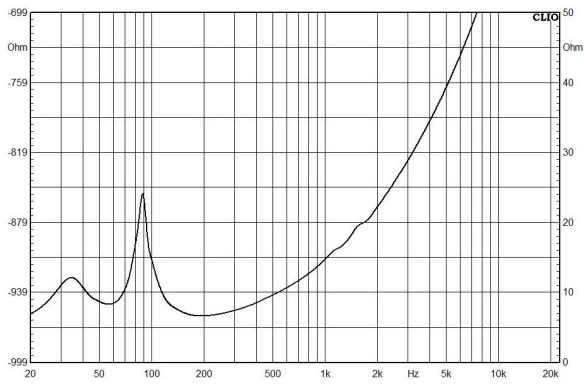


100V Mode

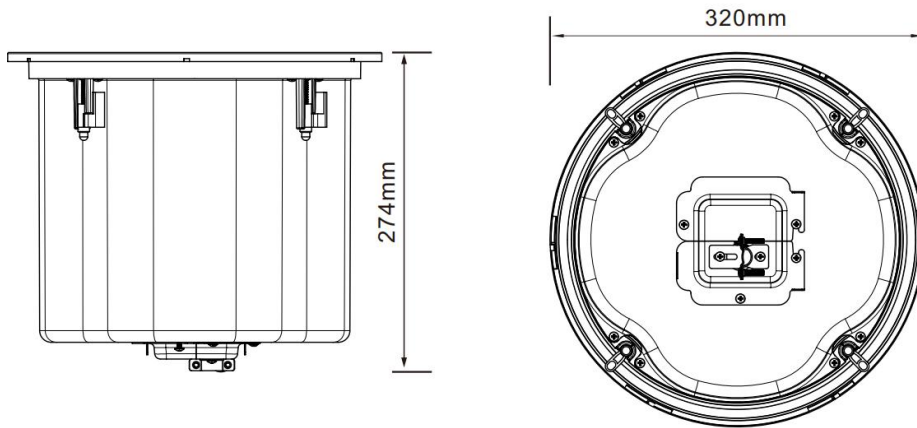


8Ω Mode

## Impedance Curve



## Product Dimension



## Connection Diagram

