

FP808

Directional Parabolic Sound Dome Speaker



Description

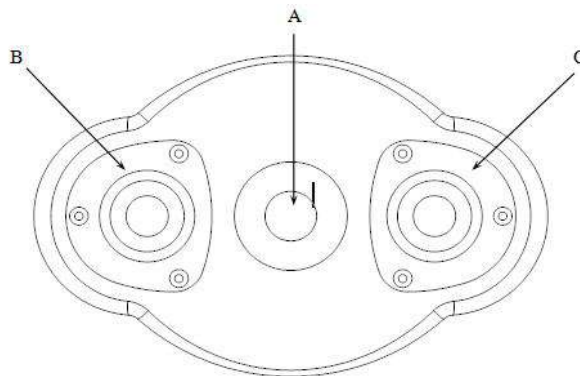
The FP808 is mainly composed of stereo power amplifier, audio and video digital player, audio source selection switching, and human infrared induction. This is a brand-new sound focusing speaker, which is quite powerful, easy to operate, supports remote control, and can easily enjoy listening to music and watching videos by connecting external devices through the connector. In addition to supporting audio files such as MP3, WAV, WMA, OGG, FALC, etc., it also supports video files such as MP4, AVI, MKV, MOV, WMV, and FLV. At the same time, it supports TF card expansion, mass storage of files, and file uploading. Equipped with an intelligent automatic induction system, when the system infrared senses the human body, the system will control the digital player to enter the playback state within one second. It also supports access to the Networked PA System, and can accept program source broadcasting and emergency broadcasting from the host.

Features

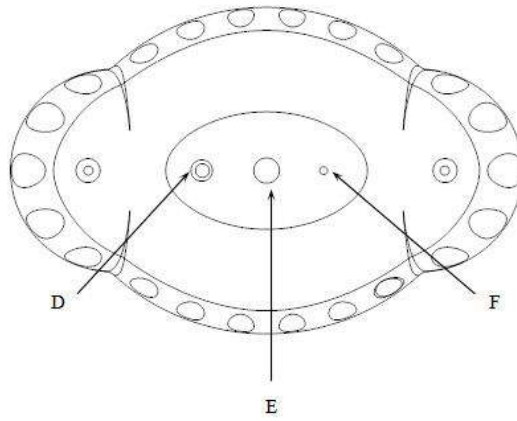
- Audio Playback: Support MP3, WAV, WMA, OGG, FALC, etc
- Video Playback: Support MP4, AVI, MKV, MOV, WMV, FLV etc
- Support file browsing and playback of USB disk and TF card.
- Control by remote control, convenient and fast.
- With one line input, one HDMI output
- Supports setting the playback duration of human body induction, updating media sources and software on USB flash drives, and remotely updating media sources and software on LAN.
- Using the principle of sound focusing to create a relatively independent music space, reducing the interference of bystanders.
- Support access to the Networked PA System, which can play host audio and emergency broadcasting, etc.

Model		FP808
Frequency Response		300Hz-18KHz
SNR		≥71dB
Distortion		<0.5%
Rated Output Power		1.5W
Max. Input Power		6.5W
Input Impedance		20Kohm
Sensitivity		80dB (stereo)
Rated Impedance		8 ohm (stereo)
Video Resolution		≤1080p
Dome Cover Height		320mm
Dome Cover Diameter		730mm
Power Supply		DC9V/2A
Weight	Sound Focusing Dome Speaker Net Weight (with hanger)	4.7 KG
	Interface Conversion Player Net Weight	0.45 KG
	Gross Weight	7.9 KG
Color	Dome Cover	Transparent
	Speaker Chassis	Black
	Interface Conversion Player	Silver
Dimension	Package Size	815×815×480mm
	Sound Focusing Dome Speaker Size (with Dome Cover)	750×750×380mm
	Interface Conversion Player Package Size	215×215×97mm
	Interface Conversion Player Size	147×140×41mm

Sound Focusing Dome Speaker Appearance Player



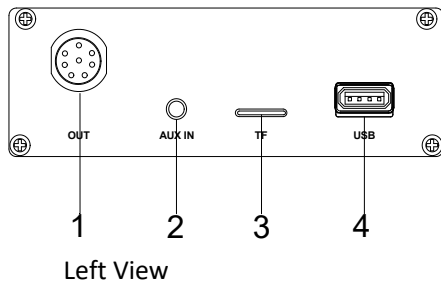
The Top Introduction



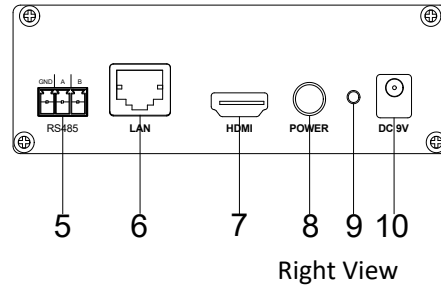
The Bottom Introduction

- | | |
|------------------------------|------------------------------|
| A. 8-pin aviation cable | B. Left speaker output |
| C. Right speaker output | D. Remote Receiver Module |
| E. Inductive Receiver Module | F. Inductive Indicator Light |

Interface Conversion Player Introduction



Left View

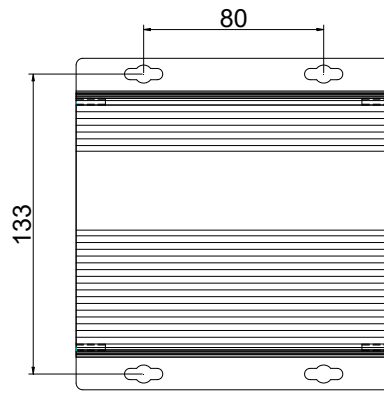


Right View

1. **8-Pin aviation Interface**
Access to the 8-pin aviation cable leading from the speaker
2. **AUX line input;**
3. **TF Card Slot**
Insert the TF card to play audio and video files. The TF card does not support hot swap
4. **USB Interface**
Insert the TF card to play audio and video files, and the TF card does not support hot swap.
5. **RS485 Communication Interface**
6. **RJ45 Network Interface**
7. **HDMI HD Interface**
Connect to the HD display screen
8. **On-screen Display Switch Button**
9. **Power Indicator Light**
10. **DC9V Power Supply Port**

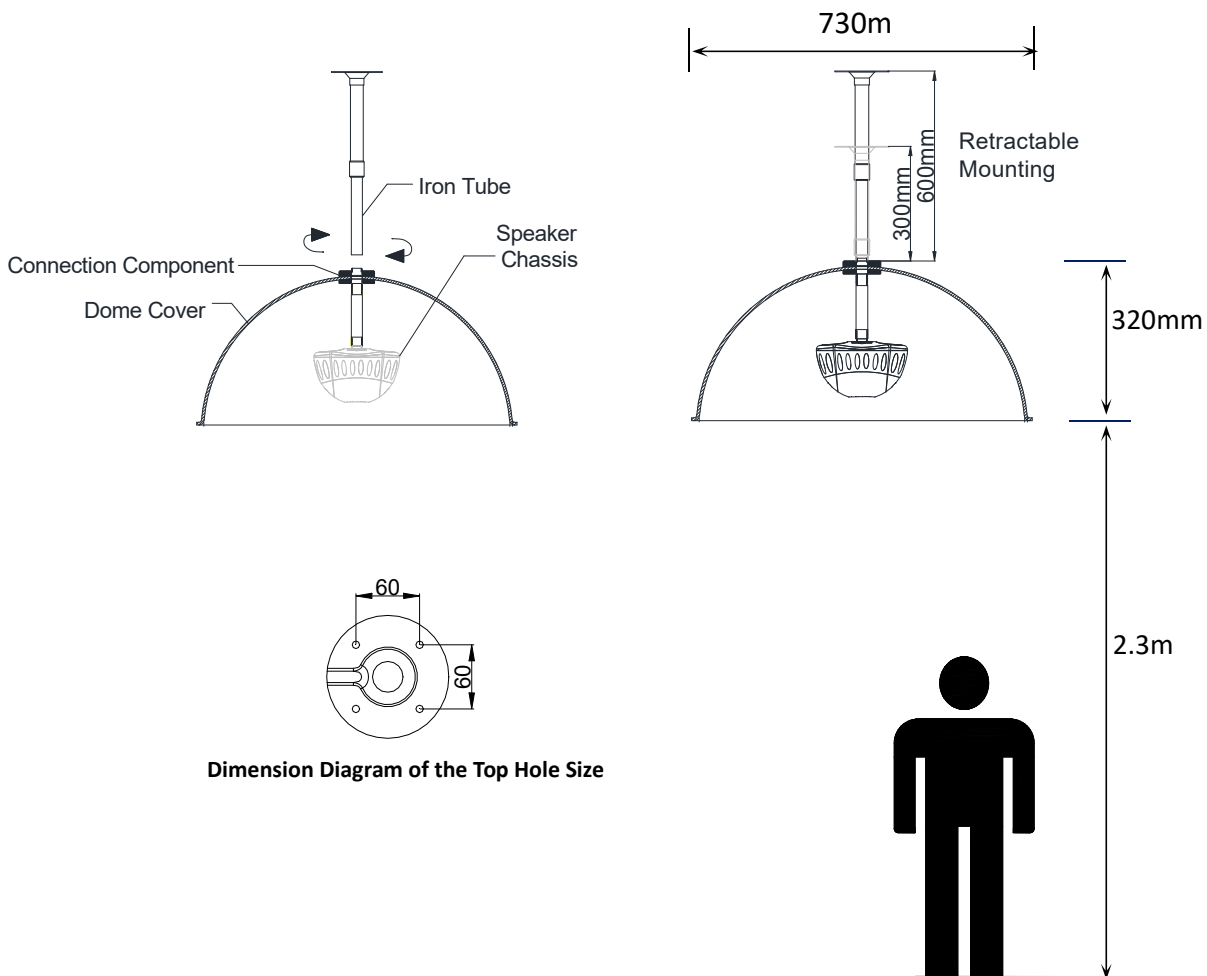
Installation Diagram of Interface Conversion Player

Note: The user can determine the location of the mounting screw holes of the interface conversion player through the installation diagram.



Installation Diagram (Unit: mm)

Installation Diagram of Sound Focusing Dome Speaker



Dimension Diagram of the Top Hole Size

Note: The recommended installation height is about 2.3m from the ground. According to the installation height requirements, the cable on the top of the cover is first threaded through the bottom of the iron tube, then the iron tube is screwed clockwise into the connection components at the top of the cover, and finally the top of the iron tube is fixed and suspended with screws according to the hole size drawing.

After installation, the interface conversion player is connected to DC9V Power adapter, connect network cable and display, prepare the remote control.

Remote Control Buttons Function



Buttons Name	Buttons Function	Buttons Name	Buttons Function
Power Supply	Short press to turn off the screen, long press to reboot the device	◀	Direction Button, Left
Mute	Turn on/off the mute	▶	Direction Button, Right
Numbers key	0123456789	OK	Confirm Button
Favorite	Decimal point	Exit	Return Button
Rewind	Delete	▶▶	Next Song
Volume +	Increase the volume	◀◀	Previous Song
Volume -	Decrease the volume	▶▶	Fast Forward
Channel +	Next Song	◀◀	Fast Reverse
Channel -	Previous Song	▶	Play/Pause
▲	Direction Button, Up	■	Stop Button
▼	Direction Button, Down		