

## MAG204HD

### Explosion-proof PoE Network Horn Speaker



#### Description

MAG204HD is an intrinsically safe, explosion-proof, waterproof and dustproof horn speaker that supports PoE power supply and adopts a corrosion-resistant and vandal-resistant cast aluminum waterproof casing. It is mainly used in chemical plants and gas stations and other places with methane mixed gas, oil, etc., which are in danger of explosion, such as high-speed railways, subways, tunnels, ports, wharfs, airports, underground pipe gallery systems, dispatching and calling places for large industrial and mining projects, power plants, large chemical plants, cement plants, steel mills, oil drilling platforms, gas stations, refineries, berthing decks, country parks, national nature reserves and so on. The product can be used for playback, paging and emergency broadcasting, and is suitable for factory Class II, temperature group T6 explosive gas environments.

#### Features

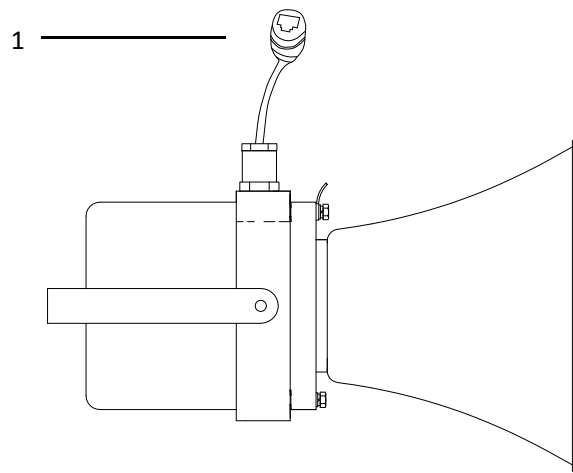
- The product has excellent flameproof performance and sufficient mechanical strength.
- Supports 16-bit digital audio stream decoding with a maximum sampling rate of 48kHz.
- Can execute background music, scheduled tasks, emergency paging and alarm signals from the system host.
- Supports remote modification of local network parameters through web pages.
- Built-in 20W digital amplifier with low power consumption settings.
- Provides a complete interface that complies with the IEEE 802.3af/at standard for Power over Ethernet (PoE) systems.
- High sensitivity and electroacoustic conversion efficiency.

- Non-combustible, high fire resistance, no harmful gas, no pollution of the environment.
- Easy to use and maintain.

## Specifications

Model		MAG204HD	
Acoustic System	Drive Unit	2.5"×1	
	Sensitivity (1m, 1W)	92±2dB	
	Max. SPL (1 m)	108±2dB	
	Frequency Response	450Hz-5kHz	
	Rated Power (RMS)	20W	
Amplifier System	NET Playback Built-in Amplifier	Frequency Response	100Hz-19.5kHz
		Distortion	≤1%
		SNR (A-weighted)	≤5mV
Power Supply		48V PoE power supply IEEE802.3at standard	
Package Size		445×330×340mm	
Product Size		250×250×355mm	
Gross Weight		8.4kg	
Net Weight		7.2kg	

## Product Information



### 1. PoE Input Port

Connect to 48V powered IEEE 802.3at standard switch port.

1. This product weighs 7.2kg. When fixing the product, you must choose a firm location, install two 8mm diameter bolts (see Figure 1), and please ensure that the bolts are firmly fixed before installation.

2. Loosen the fastening nuts on both sides of the bracket until the angle of the explosion-proof speaker is adjustable. Fix the explosion-proof speaker to the two previously installed bolts, adjust the angle of the explosion-proof speaker, and re-tighten the fastening nuts on both sides of the bracket.

3. Connect the explosion-proof speaker PoE supply lead to the PoE switch.

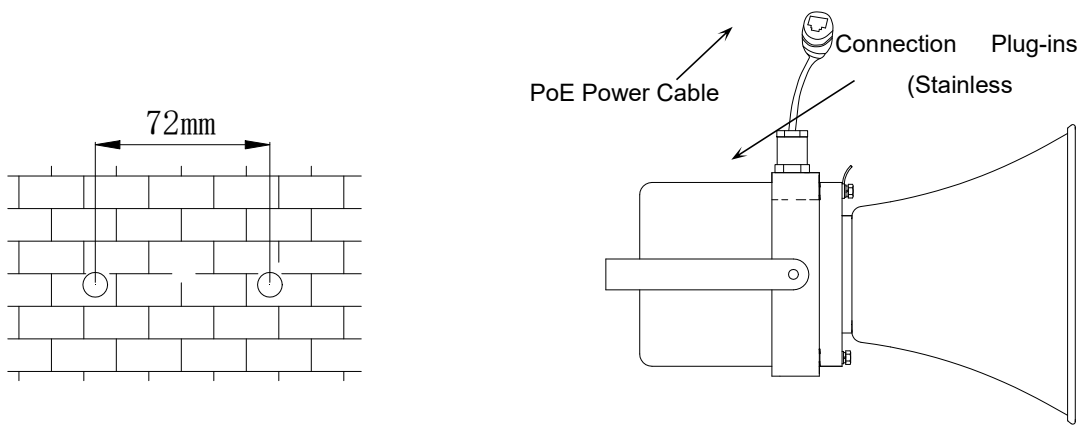


Fig.1 Installation Diagram

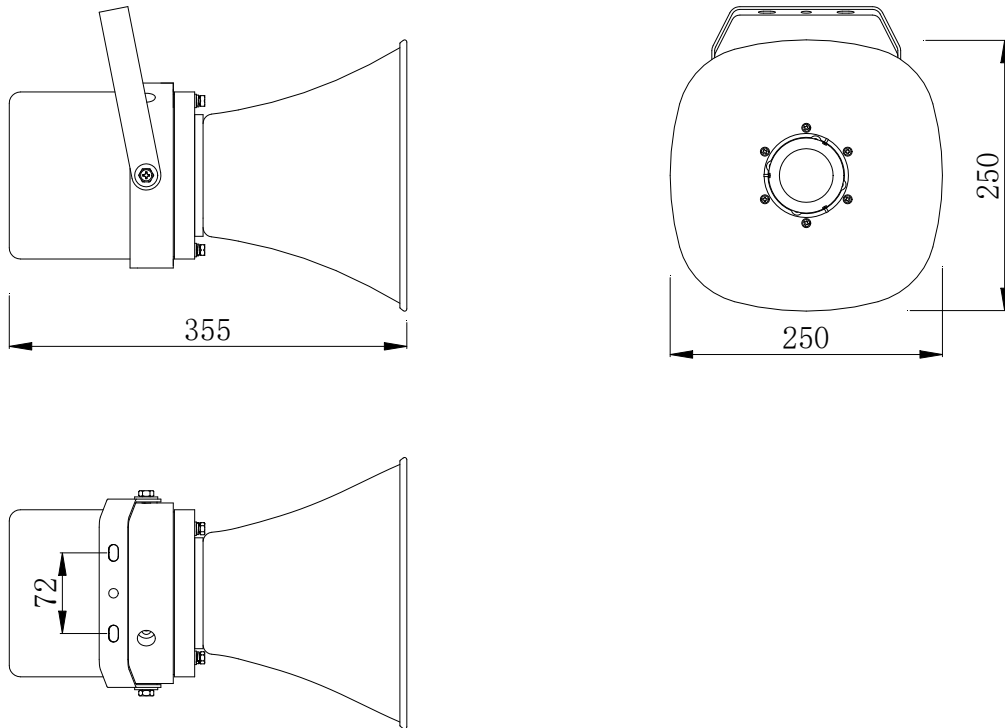


Fig. 2 Structure Diagram