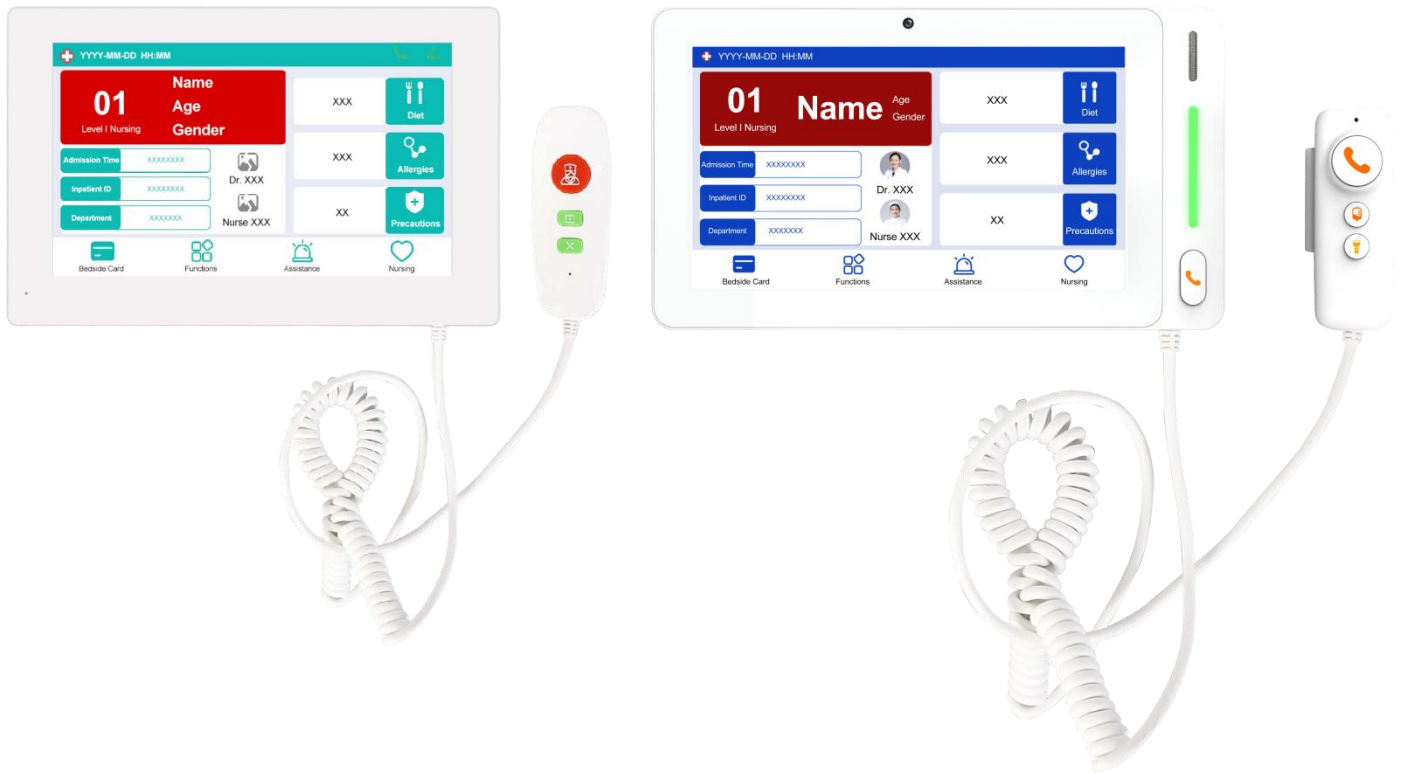


## MC7141 MC7142

### 7-Inch Bedside Terminal



**MC7142**

**Bedside Terminal - Wall-Mounted**

**MC7141**

**Bedside Terminal - Flush-Mounted**

## Description

The MC7141 / MC7142 7-inch Bedside Terminal is an intelligent patient interaction terminal designed for hospital wards as part of the nurse call system. Installed at the patient's bedside, the device enables convenient communication between patients and nursing staff while providing access to hospital information and patient-related services.

Equipped with a 7-inch high-definition capacitive touchscreen, the bedside terminal displays bed information, patient details, system status, and nursing information in real time. Patients can easily initiate calls to the nurse station, view medical information, and access hospital services through the intuitive user interface.

The terminal supports voice communication, information inquiry, health education content, and system configuration functions. With its Android-based operating system, stable network communication, and reliable hardware design, the device ensures efficient patient–nurse interaction and enhances the overall quality of ward management.

## Features

- Patient – Nurse Communication: Supports one-touch calling and two-way voice intercom with the nurse

station for timely assistance and communication.

- 7" HD Touchscreen Interface: Equipped with a 7-inch capacitive touchscreen (1024 × 600 resolution) for clear display and smooth operation.
- Comprehensive Patient Information Display: Displays real-time bed information, patient details, system status, and nursing information for convenient monitoring.
- Hospital Information Access: Provides access to hospital information, department introductions, admission instructions, health education videos, and announcements.
- Medical Information Inquiry: Supports queries for medical orders, examination results, test reports, and hospitalization expenses through integration with hospital data systems.
- Android-based System: Powered by Android 10, ensuring stable operation, flexible configuration, and easy system expansion.
- Network Communication: Supports IP-based communication via Ethernet or PoE, ensuring reliable data transmission across the nurse call system.
- Multiple Interface Support: Equipped with multiple interfaces such as RJ45, RS-485, alarm inputs, and control interfaces to support external devices like emergency buttons and corridor lights.
- Ergonomic Handset Design: Features a magnetic handset with physical buttons for call control and convenient bedside operation.
- Reliable Industrial Design: Designed for continuous operation in hospital environments with low power consumption and wide operating temperature range.

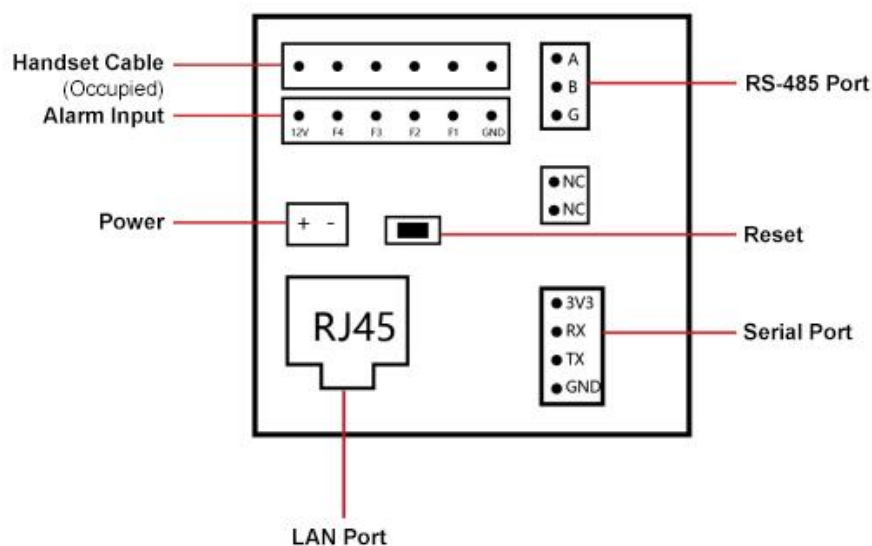
## Specifications

Model	MC7142 Bedside Terminal - Wall-Mounted
Screen Size	7 inches
Resolution	7": 1024 × 600 px
Main Chip	Quad-core Cortex™-A53, 1.8 GHz
Memory	1GB
Storage	8GB
Video Codec	H.264
Audio Codec	G.711 / G.722 / G.729
Network	10/100 Mbps adaptive
Communication Protocols	TCP, UDP, RTP, ARP, IGMP, HTTP, SIP
Interfaces	7" Wall-Mounted Bedside Terminal: Alarm Input ×4, RJ45 ×1, RS-485 ×1, Power ×1, Reset Button ×1, Serial Port ×1
Touch Control	Multi-point capacitive touchscreen
Operating System	Android10
Working Voltage	DC 18–24V or standard PoE
Standby Power Consumption	7": < 3 W
Working Power Consumption	7": < 5 W
Operating Temperature	-40°C ~ +65°C
Installation Method	Wall-mounted / Flush-mounted
Package Dimensions	250 × 165 × 40mm
Product Dimensions	187.5 × 121 × 21mm
Net Weight	0.5 kg
Gross Weight	0.6 kg

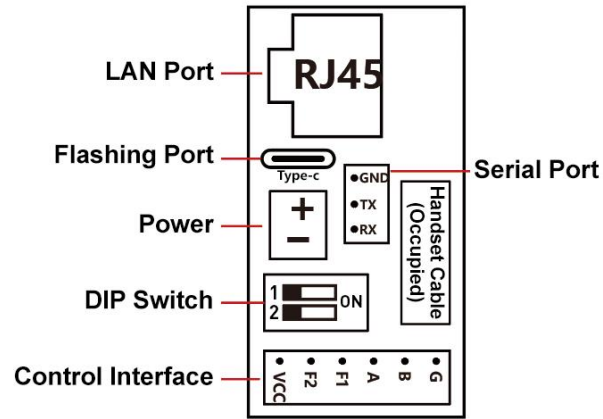
Model	MC7141 Bedside Terminal - Flush-Mounted
Screen Size	7 inches
Resolution	7": 1024 × 600 px
Main Chip	Quad-core Cortex™-A53, 1.8 GHz
Memory	1GB
Storage	8GB
Video Formats	MP4, AVI, MKV, MOV
Audio Formats	MP3, AAC, WAV
Image	JPEG, PNG
Network	10/100 Mbps adaptive
Communication Protocols	TCP, UDP, RTP, ARP, IGMP, HTTP, SIP
Interfaces	7": RS-485 ×1, RJ45 ×1, Control Interface ×1, Power ×1, DIP Switch ×1, Type-C Port ×1 (can convert to USB with adapter)
Other Features	RGB 3-color indicator, configurable to multiple colors
Handset	Magnetic handset, 3 physical buttons: Call / Infusion / Flashlight (Flashlight can be used for pupil illumination)
Terminal Panel	Physical buttons: 7": Call, hidden Screen On/Off, hidden Restart
Touch Control	Capacitive touchscreen, supporting 10-point touch and operation with gloves
Operating System	Android10
Working Voltage	DC 18–24V or standard PoE
Standby Power Consumption	7": < 3 W
Working Power Consumption	7": < 5 W
Operating Temperature	-40℃ ~ +65℃
Installation Method	Wall-mounted / Flush-mounted
Package Dimensions	250 × 165 × 40mm
Product Dimensions	204 × 115 × 24.5mm
Net Weight	0.75 kg
Gross Weight	0.85 kg

## Mainboard Interface Details

### MC7142 7" Bedside Terminal - Wall-Mounted



## MC7141 7" Bedside Terminal - Flush-Mounted



Note: Before flashing firmware via the Type-C Flashing Port, set DIP Switch 2 to ON. Connect the flashing tool to the port to start the firmware update. During the flashing process, switch DIP Switch 2 back to OFF to complete the operation.